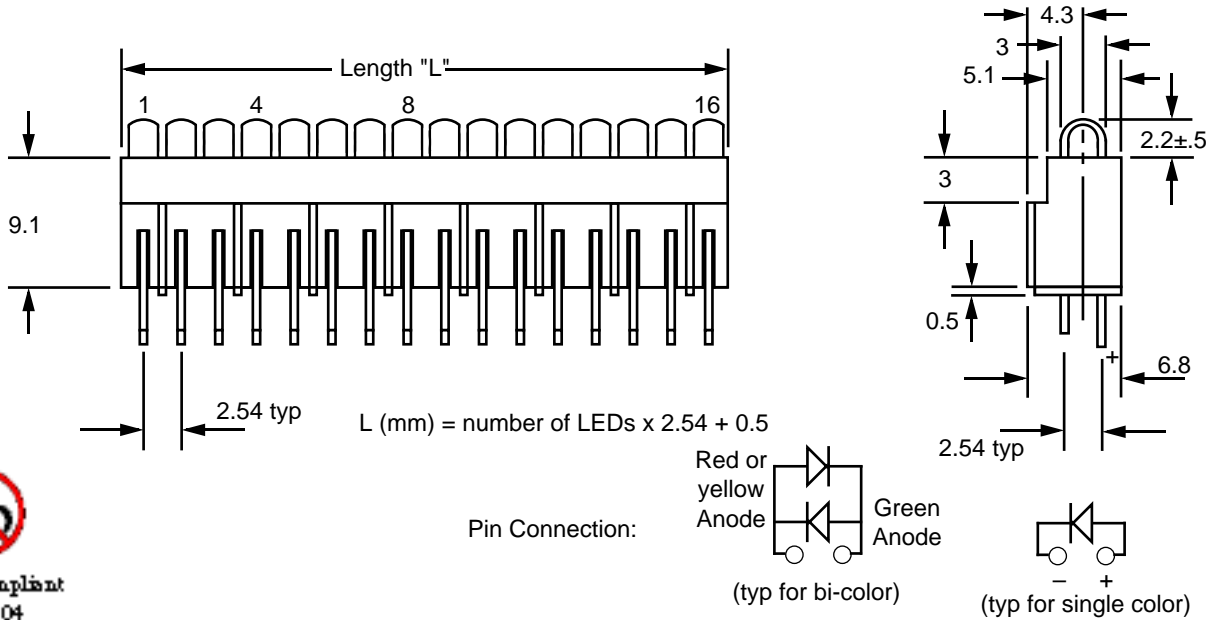


# Oblong, Domed, PCB Mount Direct View Indicator Array, G23XXS Series



The G23XXS indicator array has been specifically designed for high density packaging while maintaining visibility. From 4 to 16 LEDs are located on 2.54 mm(0.1") centers, which makes it ideal as a status indicator when used in conjunction with DIP switches. It offers handling ease where multiple indicators are required. This versatile indicator can be supplied with mixed colors for specific applications.



RoHS Compliant  
Aug 2004

Specify part desired as follows: (XX = total number of LEDs in array, up to 16 maximum.)

G23XXS/Order Code LED1 + Order Code LED 2 + ... + Order Code LED XX

For example: "G2308S/4H+4G" designates an 8 lamp assembly with 4 red LEDs followed by 4 green LEDs.

## ORDER CODE AND INFORMATION (ALL RATINGS AT 25°C AMBIENT)

| LED Lamp                              |              |            | Typical Characteristics |                  |                    |                       | Recom. Op. If (mA) |
|---------------------------------------|--------------|------------|-------------------------|------------------|--------------------|-----------------------|--------------------|
| Epoxy & Type                          | Color        | Order Code | Peak $\lambda$ (nm)     | Vf (V) @ If=20mA | Iv (mcd) @ If=10mA | $2\theta_{1/2}$ (Deg) |                    |
| Tinted Diffused<br>Resistor Required  | Red          | H          | 697                     | 2.1              | 1.6                | 40                    | 5-10               |
|                                       | Hi Eff Red   | I          | 635                     | 2.0              | 4.5                | 40                    | 10-20              |
|                                       | Green        | G          | 565                     | 2.1              | 4.5                | 40                    | 10-20              |
|                                       | Yellow       | Y          | 585                     | 2.0              | 4.5                | 40                    | 10-20              |
|                                       | Orange       | O          | 610                     | 2.0              | 4.5                | 40                    | 10-20              |
| Tinted Transparent<br>High Brightness | Hi Eff Red   | IT         | 635                     | 2.0              | 11                 | 20                    | 10-20              |
|                                       | Green        | GT         | 565                     | 2.1              | 15                 | 20                    | 10-20              |
|                                       | Yellow       | YT         | 585                     | 2.0              | 10                 | 20                    | 10-20              |
| Tinted Diffused<br>For 2mA Operation  | Red          | H2         | 697                     | 2.0              | 1.2 @ 2mA          | 40                    | 2-10               |
|                                       | Hi Eff Red   | I2         | 635                     | 2.1              | 1.4 @ 2mA          | 40                    | 2-10               |
|                                       | Green        | G2         | 565                     | 2.0              | 1.2 @ 2mA          | 40                    | 2-10               |
|                                       | Yellow       | Y2         | 585                     | 2.0              | 1.2 @ 2mA          | 40                    | 2-10               |
| Tinted Diffused<br>5V Operation       | Hi Eff Red   | I5         | 635                     | -                | 4.5                | 40                    | 5 V                |
|                                       | Green        | G5         | 565                     | -                | 4.5                | 40                    | 5 V                |
|                                       | Yellow       | Y5         | 585                     | -                | 4.5                | 40                    | 5 V                |
| White Diffused<br>Bipolar, Bicolor    | Red/Green    | EG         | 635/565                 | 2.1/2.0          | 2.5/2.5            | 54                    | 10-20              |
|                                       | Yellow/Green | YG         | 585/565                 | 2.1/2.0          | 2.5/2.5            | 54                    | 10-20              |

\* Specifications subject to change without notice. Dimensions are in mm±0.25 unless stated otherwise.

IDEA, Inc., 1351 Titan Way, Brea, CA 92821 Ph:714-525-3302, 800-LED-IDEA; Fax: 714-525-3304 Catalog 995A