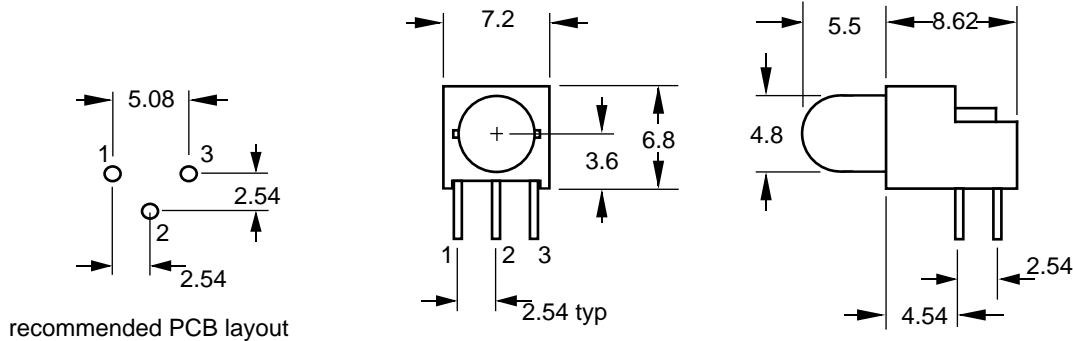


T-1-3/4, (5-mm) Round, Single- or Bi-Color PCB Mount Right Angle LED Indicator, G297B Series



The G297B right angle indicator is designed to use the three-leaded bi-color LED lamp which has pins spaced on 2.54 mm centers. It has a wide stance and its length permits the front of the LED to protrude further from the edge of the PCB. Standard 3-leaded bi-color lamps are common cathode. Common anode versions are available on special order. Contact us for details.



RoHS Compliant
Aug 2004

G297B
3-leaded
bi-color

LED Type	Connections		
	Pin 1	Pin 2	Pin 3
Tri-color-EG (Both chips on for amber) SG	Red+	Common-	Grn+
Bi-color- YG	Grn-	Common+	Red -
	Yel+	Common-	Grn+

Specify part desired as follows:

G297B/Order Code

For example: "G297B/EG" designates an assembly with a red/green LED.

ORDER CODE AND INFORMATION (ALL RATINGS AT 25°C AMBIENT)

LED Lamp			Typical Characteristics				Recom. Op. If (mA)
Epoxy & Type	Color	Order Code	Peak λ (nm)	Vf (V) @If=20mA	Iv (mcd) @If=10mA	$2\Theta_{1/2}$ (Deg)	
White Diffused Bipolar, Bicolor	Hi Eff Red/Grn	EG	635/565	2.1/2.0	2.5/2.5	54	10-20
	Yellow/Green	YG	585/565	2.1/2.0	2.5/2.5	54	10-20
	Red/Green	SG	660/570	1.8/2.2	6.0/2.5	-	10-20
Tinted Diffused Resistor Required	Red	H	697	2.1	2.0	36	5-10
	Hi Eff Red	I	635	2.0	9.0	36	10-20
	Green	G	565	2.1	9.0	36	10-20
	Yellow	Y	585	2.0	7.0	36	10-20
Tinted Transparent High Brightness	Hi Eff Red	IT	635	2.0	30	16	10-20
	Green	GT	565	2.1	30	16	10-20
	Yellow	YT	585	2.0	28	16	10-20

* Specifications subject to change without notice. Dimensions are in mm±0.25 unless stated otherwise.