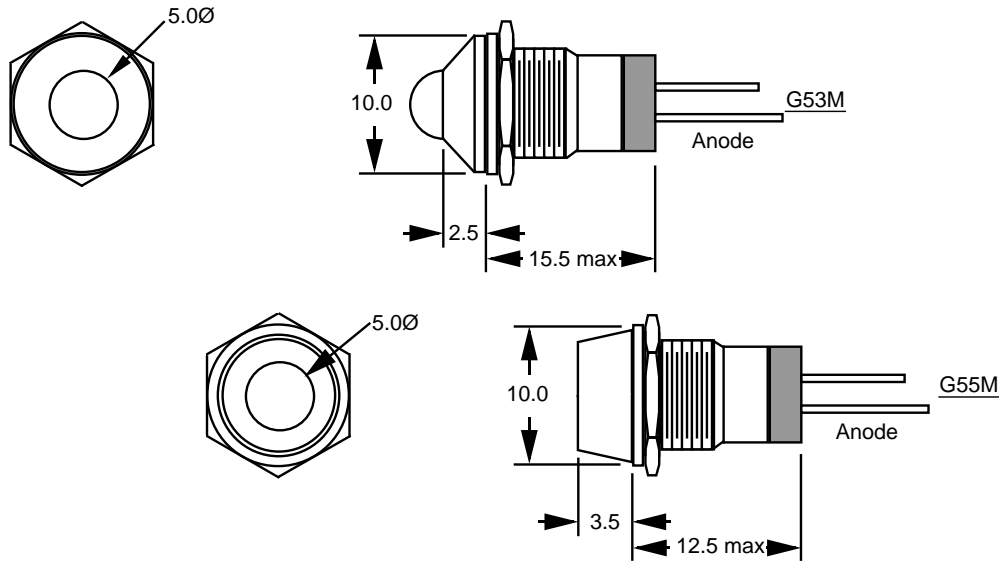


T-1-3/4 (5 mm) Panel Mount LED Indicator G53M and G55M Series



The G53M and G55M series of indicators are made of chrome-plated brass. Any of IDEA's standard T-1-3/4 lamps may be used. These assemblies are furnished with matching lock washer and nut. Recommended for panels up to 3 mm (1/8") thick. Recommended hole size is 8 mm (or 5/16"). For the convenience of OEM users, IDEA can furnish both of these series with wires attached. Black plating is also available on special order to volume users.



Specify part desired as follows:

G53M/Order Code or G55M/Order Code

For example: "G53M/G" designates an assembly with a green LED.

ORDER CODE AND INFORMATION (ALL RATINGS AT 25°C AMBIENT)

LED Lamp			Typical Characteristics				Recom. Op. If (mA)
Epoxy & Type	Color	Order Code	Peak λ (nm)	Vf (V) @ If=20mA	Iv (mcd) @ If=10mA	$2\Theta_{1/2}$ (Deg)	
Tinted Diffused Resistor Required	Red	H	697	2.1	2.0	36	5-10
	Hi Eff Red	I	635	2.0	9.0	36	10-20
	Green	G	565	2.1	9.0	36	10-20
	Yellow	Y	585	2.0	7.0	36	10-20
Tinted Transparent High Brightness	Hi Eff Red	IT	635	2.0	30	16	10-20
	Green	GT	565	2.1	30	16	10-20
	Yellow	YT	585	2.0	28	16	10-20
Tinted Diffused For 2mA Operation	Red	H2	697	2.0	1.6 @ 2mA	36	2-10
	Hi Eff Red	I2	635	2.1	2.0 @ 2mA	36	2-10
	Green	G2	565	2.0	2.0 @ 2mA	36	2-10
	Yellow	Y2	585	2.0	2.0 @ 2mA	36	2-10
Tinted Diffused 5V Operation	Hi Eff Red	I5	635	-	4.5	36	5 V
	Green	G5	565	-	4.5	36	5 V
	Yellow	Y5	585	-	4.5	36	5 V
Tinted Diffused 12V Operation	Hi Eff Red	IB	635	-	4.5	36	12 V
	Green	GB	565	-	4.5	36	12 V
	Yellow	YB	585	-	4.5	36	12 V
White Diffused Bipolar, Bicolor	Hi Eff Red/Grn	EG	635/565	2.1/2.0	2.5/2.5	54	10-20
	Yellow/Green	YG	585/565	2.1/2.0	2.5/2.5	54	10-20
	Red/Green	SG	660/570	1.8/2.2	6.0/2.5	-	10-20

* Specifications subject to change without notice. Dimensions are in mm±0.25 unless stated otherwise.

IDEA, Inc., 1351 Titan Way, Brea, CA 92821 Ph:714-525-3302, 800-LED-IDEA; Fax: 714-525-3304 Catalog 995A