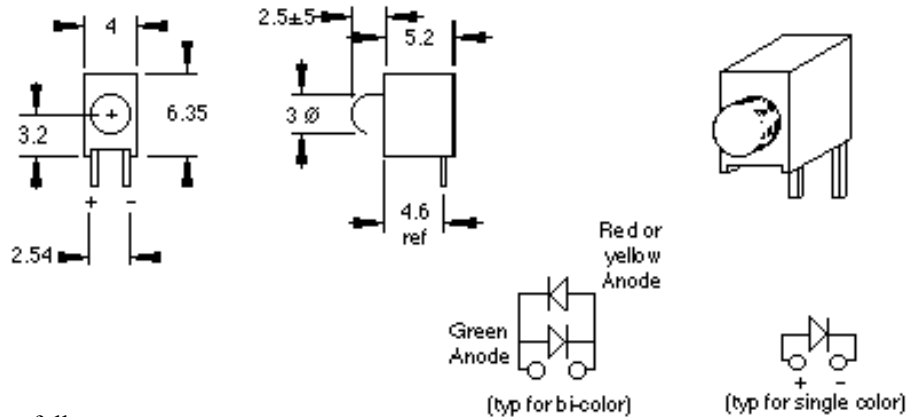


G60B SERIES



The G60B is a T-1 size right-angle indicator suitable as logic status, position, or fault indication. The G60B allows denser packaging where space is a premium. The G60B has the lamp located at 3.2mm (.125") above the PCB. The G60B series can be supplied with pinout reversed from that shown by adding "-RL" to the order code.



Specify part desired as follows:

G60B/Order Code

For example: "G60B/G" designates an assembly with a standard diffused green LED.

"G60B/G-RL" designates the same assembly with pins reversed.

ORDER CODE AND INFORMATION (ALL RATINGS AT 25°C AMBIENT)

LED Lamp			Typical Characteristics				Recom. Op. I _F (mA)
Epoxy & Type	Color	Order Code	Peak Wvl (nm)	V _f (V) @ I _f = 20 mA	I _v (mcd) @ I _f = 20 mA	2θ _{1/2} (Deg)	
Tinted Diffused, Resistor Req'd	Hi Eff Red	I	635	2.0	10	60	10 - 20
	Green	G	565	2.1	10	60	10 - 20
	Yellow	Y	585	2.0	10	60	10 - 20
	Orange	O	621	2.0	100	60	10 - 20
	Blue	B	428	3.8	120	30	10 - 20
Tinted Transparent, High Brightness	Hi Eff Red	IT	639	2.0	11	20	10 - 20
	Green	GT	570	2.1	35	20	10 - 20
	Yellow	YT	565	2.1	4.5	20	10 - 20
Tinted Diffused, 5V Operation	Hi Eff Red	I5	635	—	12.5	50	5V
	Green	G5	565	—	4.5	40	5V
	Yellow	Y5	585	—	4.5	40	5V
Water Clear	Blue	BC	428	3.8	200	30	10 - 20
	Blue	BHC	468	3.8	550	25	10 - 20
	White	WC	—	3.8	800	30	10 - 20

* Specifications subject to change without notice. Dimensions are in mm ±0.25 unless stated otherwise.

IDEA, Inc., 1351 Titan Way, Brea, CA 92821 Ph: 714-525-3302, 800-LED-IDEA; Fax: 714-525-3304

1108