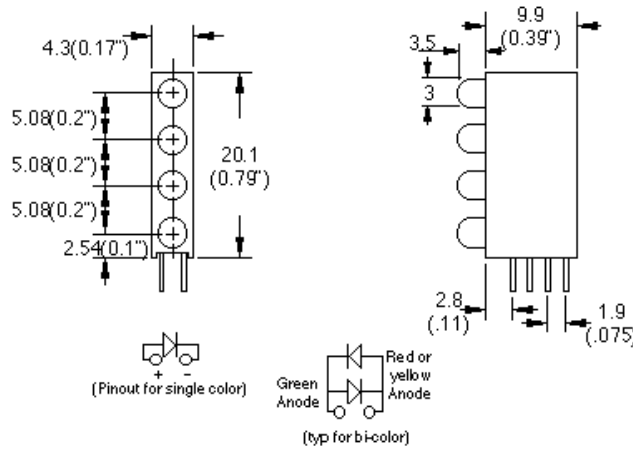


G94B



The G94B is a right-angle view assembly of 4 T-1 LEDs arranged in a column. This indicator array is designed to be the extension of the G78B and G83B. When used in conjunction with the G78B and/or G83B the lower LEDs line up both vertically and horizontally with the lamps in the latter. Recommended pitch is 4.4 mm(0.173") when a large number of units are placed side-by-side. This would allow inter-mixing 4-high, 3-high and 2-high indicators on the same panel.

Specify part desired as follows:



G94B/Order Code LED1 + Order Code LED 2 + Order Code LED 3 + Order Code LED 4

For example: "G94B/I+Y+2G" designates an assembly with a red LED on top, a yellow LED in the middle and 2 green LED's on the bottom. Note: Special lead length lamps are needed for position 1. Limited choices only.

ORDER CODE AND INFORMATION (ALL RATINGS AT 25°C AMBIENT)

LED Lamp			Typical Characteristics				Recom. Op. I _F (mA)
Epoxy & Type	Color	Order Code	Peak λ (nm)	V _F (V) @ I _F = 20 mA	I _v (mcd) @ I _F = 10 mA	2θ _{1/2} (Deg)	
Tinted Diffused, Resistor Required	Blue	B	428	3.8	250	30	10 - 20
	Red	H	697	2.1	1.6	40	5 - 10
	Hi Eff Red	I	635	2.0	4.5	40	10 - 20
	Green	G	565	2.1	4.5	40	10 - 20
	Yellow	Y	585	2.0	4.5	40	10 - 20
	Orange	O	610	2.0	4.5	40	10 - 20
Tinted Transparent, High Brightness	Hi Eff Red	IT	635	2.0	11	20	10 - 20
	Green	GT	565	2.1	15	20	10 - 20
	Yellow	YT	585	2.0	10	20	10 - 20
Tinted Diffused, for 2 mA Operation	Red	H2	697	2.0	1.2 @ 2 mA	40	2 - 10
	Hi Eff Red	I2	635	2.0	1.4 @ 2 mA	40	2 - 10
	Green	G2	565	2.1	1.2 @ 2 mA	40	2 - 10
	Yellow	Y2	585	2.0	1.2 @ 2 mA	40	2 - 10
Tinted Diffused 5V Operation	Hi Eff Red	I5	635	—	4.5	40	5 V
	Green	G5	565	—	4.5	40	5 V
	Yellow	Y5	585	—	4.5	40	5 V
White Diffused Bipolar, Bicolor	Red/ Green	EG	635/ 565	2.1/ 2.0	2.5/ 2.5	54	10 - 20
	Yellow/ Green	YG	585/ 565	2.1/ 2.0	2.5/ 2.5	54	10 - 20

* Specifications subject to change without notice. Dimensions are in mm ±0.25 unless stated otherwise.